

# Static Personnel Flying Machine

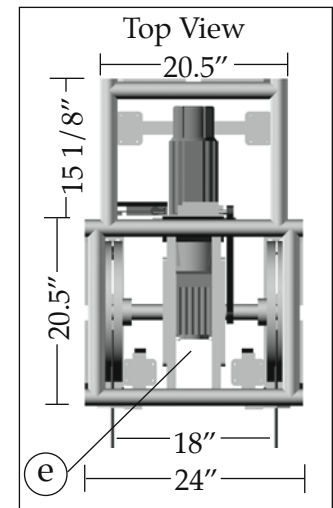
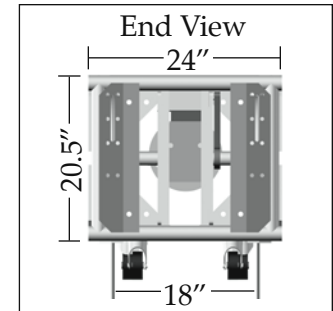
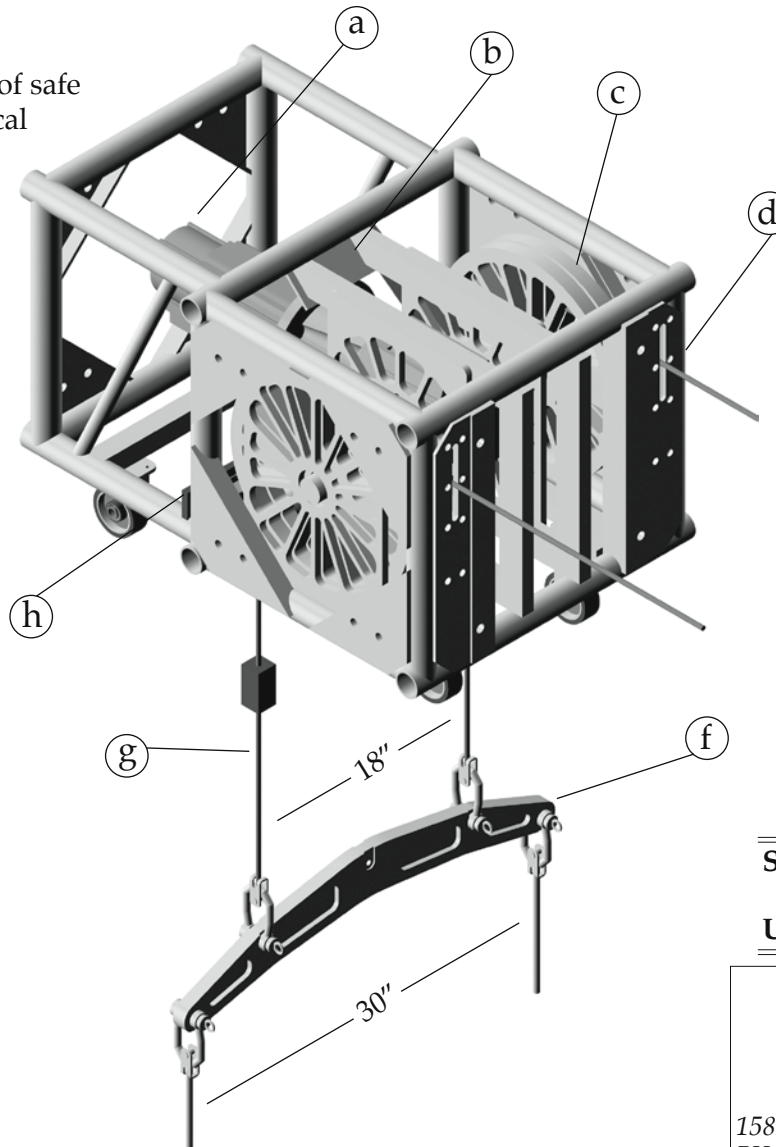
(20.5" Box Truss Compatible)

This system is designed to provide up to 50ft of safe variable speed and accurate positioning vertical lift for a person, camera, or other light weight equipment.

- Bolts to 20.5" Box Truss on all four faces

- a) Worm Type Gear Box - cannot back turn the gearbox (acts as a Secondary Safety Brake)
  - Standard Gearbox Ratio 94.35:1
  - High Speed Gearbox Ratio 37.91:1
- b) Rotary Limit Switch
- c) 15" Pinch Wheel
- d) Alternative Direction Cable Guide
- e) Motor Safety Brake
- f) Optional Acrobatic Spreader Bar
- g) 3/16" - 7 x 19 Cable - 4,200lbs min breaking strain (Equivalent to 5mm)
- h) Float Type Limit Switch - acts as Second Safety Backup for the Rotary Limit Switch

Part of the  
SGPS SERVO COMPONENT SYSTEM



**Safe Working Load:** 300 lbs with Speeds up to ft/min  
**Unit Weight:** lbs



15823 S. Main Street • Los Angeles, CA 90248  
PH:310.538.4175 • www.sgps.net • FX:310.538.4180